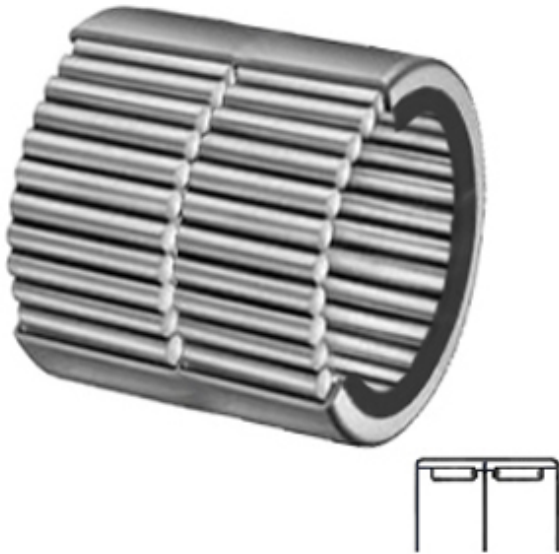




## NTN Bearing Brazil Bearings Ltda.



GR 68 S Bearing 2D drawings and 3D CAD models

4.25 Inch | 107.95 Millimeter x 5.25 Inch | 133.35 Millimeter x 2 Inch | 50.8 Millimeter MCGILL GR 68 S Needle Non Thrust Roller Bearings

Bearing No. GR 68 S

Category	Needle Non Thrust Roller Bearings
Inventory	0.0
Manufacturer Name	REGAL BELOIT
Minimum Buy Quantity	N/A
Weight	1.441
EAN	0726166063429
Product Group	B04144
Rolling Element	Needle Roller Bearing
Component	Roller Assembly with Outer Ring - No Inner Ring
Enclosure	1 Seal
Self Aligning	No
Retainer	No
Number of Rows of Rollers	Double Row
Separable	No
Closed End	No
Inch - Metric	Inch
Relubricatable	Yes
Thrust Bearing	No
Long Description	4-1/4" Bore; 5-1/4" Outside Diameter; 2" Width; Needle Roller Bearing; Roller Assembly with Outer Ring - No Inner Ring; 1 Seal Enclosure; No Self Aligning; No Retainer; Double Row



## NTN Bearing Brazil Bearings Ltda.

	of Ro
Other Features	1 Rib Outer Ring   Full Complement   Heavy Duty   Oil Hole
Category	Needle Non Thrust Roller Bearing
UNSPSC	31171512
Harmonized Tariff Code	8482.40.00.00
Noun	Bearing
Keyword String	Needle
Manufacturer URL	<a href="http://www.emerson-ept.com">http://www.emerson-ept.com</a>
Manufacturer Item Number	GR-68-S
Manufacturer Internal Number	5006810000
Weight / LBS	3.175
d	4.25 Inch   107.95 Millimeter
B	2 Inch   50.8 Millimeter
D	5.25 Inch   133.35 Millimeter